

Hoshizaki America, Inc.

Modular Crescent Cuber

Models

KM-90 IMAH

KM-90 IMWH

KM-90 IMRH/3



“A Superior Degree
of Reliability”

www.hoshizaki.com

PARTS LIST



Number: 71277
Issued: 7-23-2008
Revised: 1-17-2012

CONTENTS

Auxiliary Codes.....	3
Note About Ordering Parts	3
A. Ice Cuber Assembly & Refrigeration Circuit	4
KM-901MAH	4
KM-901MWH.....	7
KM-901MRH, KM-901MRH3	10
B. Water Circuit	13
C. Control Box Assembly	16
KM-901MAH, KM-901MWH, KM-901MRH	16
KM-901MRH3.....	18
D. Accessories, Labels, & Packaging.....	20

Auxiliary Codes

KM-901MAH	T-0	February 2008	KM-901MRH	T-0	February 2008
	U-0	January 2009		U-0	January 2009
	U-1	February 2009		U-1	February 2009
	U-2	May 2009		U-2	May 2009
	U-3	August 2009		U-3	August 2009
	V-0	January 2010		V-0	January 2010
	A-0	January 2011		A-0	January 2011
	A-1	October 2011		A-1	October 2011
	B-0	January 2012		B-0	January 2012
B-1	TBD 2012				
KM-901MWH	T-0	February 2008	KM-901MRH3	T-0	February 2008
	U-0	January 2009		U-0	January 2009
	U-1	February 2009		U-1	February 2009
	U-2	May 2009		U-2	May 2009
	U-3	August 2009		U-3	August 2009
	V-0	January 2010		V-0	January 2010
	A-0	January 2011		A-0	January 2011
	A-1	October 2011		A-1	November 2011
	B-0	January 2012		B-0	January 2012

Auxiliary Code Breakdown

The auxiliary code is the first two characters in the serial number. The first character indicates the year. Years progress or regress in alphabetical order. The series runs from "A" through "V" and the letters "I" and "O" are skipped. The second character indicates significant part changes within a year. Base is "0" and this number advances for each change. In cases where there is a letter in parentheses, this designates the month. This is the last character in the serial number. The series runs from "(A)" through "(M)" and the letter "(I)" is skipped. This designation is only included when identifying a parts change within an auxiliary code.

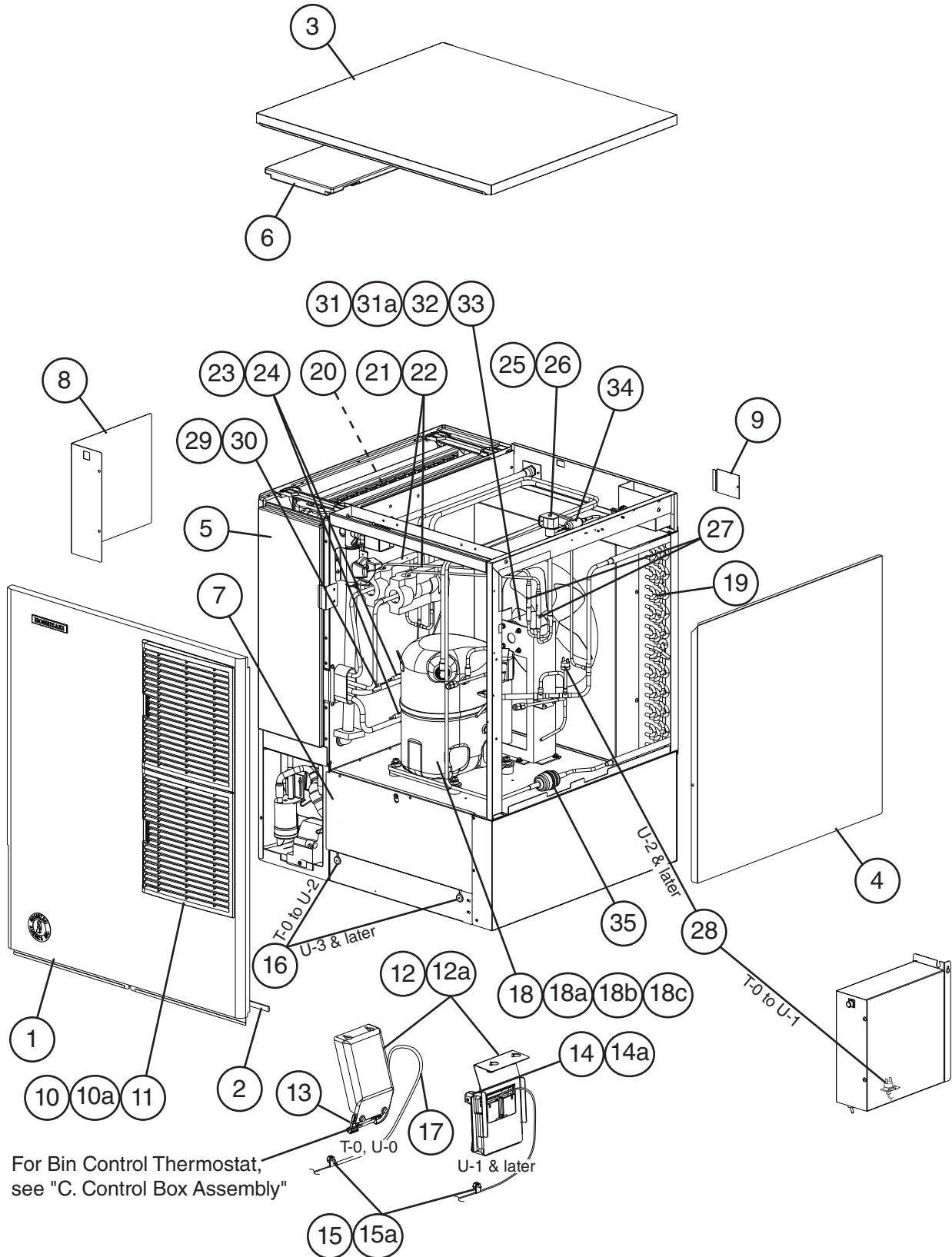
Note About Ordering Parts

Most assemblies cannot be ordered as complete units; parts in the assemblies generally must be ordered separately.

A. Ice Cuber Assembly & Refrigeration Circuit

KM-901MAH

T-0 to B-1



Title: A. Ice Cuber Assembly & Refrigeration Circuit Model: KM-901MAH												
Index No.	Description	Material or Model Number	Part Number	Required Number								
				T-0 U-0	U-1	U-2	U-3 to V-0 (F)	V-0 (G) to A-0	A-1 B-0	B-1		
Ice Cuber Assembly Order Assembly Parts Individually Assembly Number for Reference Only		KM-901MAH	1A1261A01	1	-							
			1A1719A02		1	1	1	-				
			1A1719A04					1	1	-		
			1A2355A01							1		
1	Front Panel		2A3986G01	1	1	1	1	1	1	1	1	
2	Gasket	L=762	4A0808L02	1	1	1	1	1	1	1	1	
3	Top Panel		3A4185G01	1	1	1	1	1	1	1	1	
4	Right Side Panel		2A2117G02	1	1	1	1	1	1	1	1	
5	Front Insulation		215731G02	1	1	1	1	1	1	1	1	
6	Top Insulation		215730G01	1	1	1	1	1	1	1	1	
7	Base Cover		322618G02	1	1	1	1	1	1	1	1	
8	Control Box Cover		3A2386-01	1	1	1	1	1	1	1	1	
9	Junction Box Cover		433410-01	1	1	1	1	1	1	1	1	
10	Louver		1A0547-01	2	2	2	2	2	2	2	2	
10a	Push Retainer		4A2414-01	6	6	6	6	6	6	6	6	
11	Air Filter		2A2062G01	2	2	2	2	2	2	2	2	
12	Bulb Holder (C)		3A0218G01	1	-							
	Bin Control Switch Mount		3A5210-01		1	1	1	1	1	1	1	
12a	Thumbscrew		415949G12	2	2	2	2	2	2	2	2	
13	Bulb Holder		3A3903-01	1	-							
14	Mechanical Bin Control		2A4393G01		1	1	1	1	1	1	1	
14a	Thumbscrew		415949G10		2	2	2	2	2	2	2	
15	Strap		435487-01	1	1	1	1	1	1	1	1	
15a	Thumbscrew		415949G10	1	1	1	1	1	1	1	1	
16	Capillary Ring		425307-01	1	1	1	-					
			425307-02				1	1	1	1		
17	Silicone Hose	L=390	7730I3812	1	-							
Refrigeration Circuit Order Assembly Parts Individually Assembly Number for Reference Only												
		KM-901MAH	1A1260A01	1	1	-						
			1A1761A02			1	1	1	1	-		
			1A2345A01								1	
18	Compressor		4A4134-01	1	1	1	1	1	-			
			4A4134-03						1	1		
18a	Spacer		434921-01	4	4	4	4	4	4	4	4	
18b	Grommet		434922-01	4	4	4	4	4	4	4	4	
18c	Bolt	8x45	437889-01	4	4	4	4	4	4	4	4	
19	Condenser		1A1259-01	1	1	1	1	1	1	1	1	
20	Evaporator		106396G02	1	1	1	1	1	1	-		
			1A2351G01							1		
21	Thermostatic Expansion Valve		4A4008-01	2	2	2	2	2	2	2	2	
22	Thermostatic Expansion Valve Cover		3A0944-01	2	2	2	2	2	2	2	2	
23	Thermostatic Expansion Valve Bulb Holder		3A0107-01	2	2	2	2	2	2	2	2	
24	Clamp		443461-02	2	2	2	2	2	2	2	2	
25	Hot Gas Valve Body		4A3978-01	1	1	1	1	1	1	1	1	
26	Valve Coil		4A3277-01	1	1	1	1	1	1	1	1	

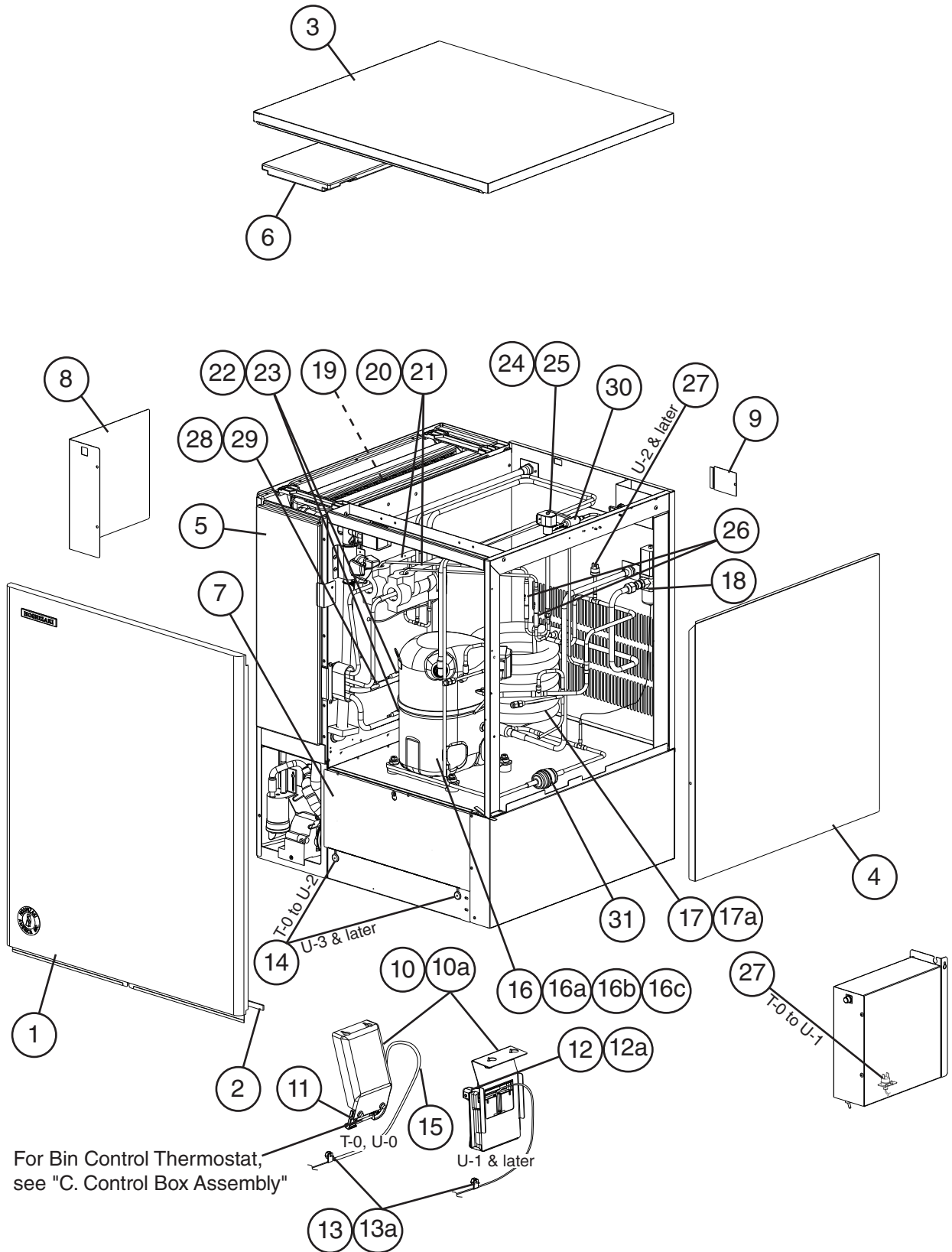
Title: **A. Ice Cuber Assembly & Refrigeration Circuit** Model: **KM-901MAH**

Index No.	Description	Material or Model Number	Part Number	Required Number								
				T-0 U-0	U-1	U-2	U-3 to V-0 (F)	V-0 (G) to A-0	A-1 B-0	B-1		
27	Check Valve		4A1373-01	2	2	2	2	2	2	2		
28	High-Pressure Switch		433441-07	1	1	-						
			463180-04			1	1	1	1	1		
29	Thermistor	L=1050	429006-03	1	1	1	1	1	1	1		
30	Thermistor Holder		427430-01	1	1	1	1	1	1	1		
31	Fan Motor		4A3158-01	1	1	1	1	1	1	1		
31a	Self-Locking Nut		7N2110832	4	4	4	4	4	4	4		
32	Fan Motor Capacitor	5MFD, 250VAC	443192-02	1	1	1	1	1	1	1		
33	Fan Blade		4A4144-01	1	1	1	1	1	1	1		
34	Strainer		441569-02	1	1	1	1	1	1	1		
35	Drier		4A2666-01	1	1	1	1	1	1	1		

A. Ice Cuber Assembly & Refrigeration Circuit

KM-901MWH

T-0 to B-0



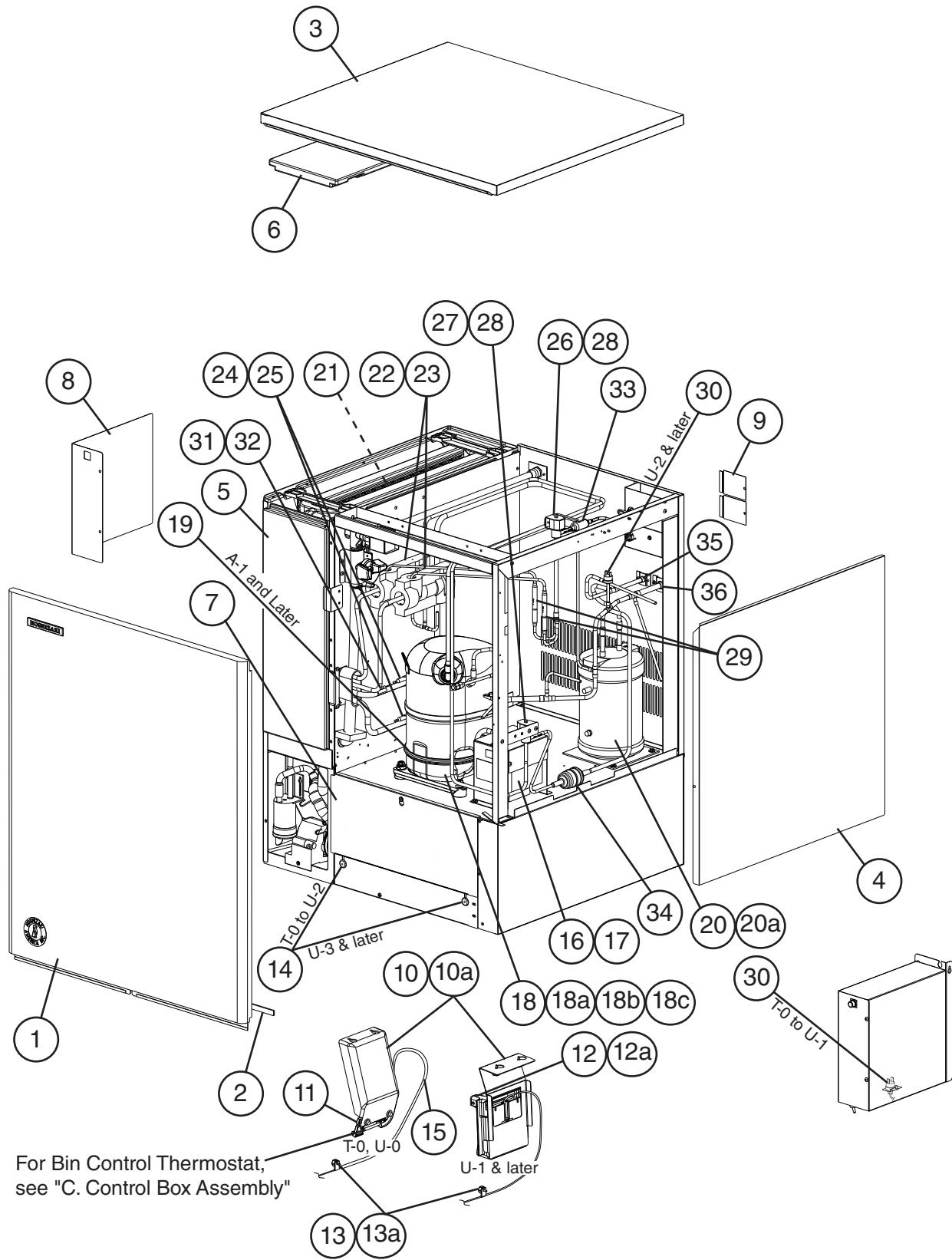
Title: A. Ice Cuber Assembly & Refrigeration Circuit Model: KM-901MWH														
Index No.	Description	Material or Model Number	Part Number	Required Number										
				T-0 U-0	U-1	U-2	U-3 to V-0 (F)	V-0 (G) to A-0	A-1 B-0					
Ice Cuber Assembly Order Assembly Parts Individually Assembly Number for Reference Only		KM-901MWH	1A1263A01	1	-									
			1A1720A02		1	1	1	-						
			1A1720A03					1	1					
1	Front Panel		2A2252G01	1	1	1	1	1	1					
2	Gasket	L=762	4A0808L02	1	1	1	1	1	1					
3	Top Panel		3A1862A01	1	1	1	1	1	1					
4	Right Side Panel		2A2117G02	1	1	1	1	1	1					
5	Front Insulation		215731G02	1	1	1	1	1	1					
6	Top Insulation		215730G01	1	1	1	1	1	1					
7	Base Cover		322618G02	1	1	1	1	1	1					
8	Control Box Cover		3A2386-01	1	1	1	1	1	1					
9	Junction Box Cover		433410-01	1	1	1	1	1	1					
10	Bulb Holder (C)		3A0218G01	1	-									
	Bin Control Switch Mount		3A5210-01		1	1	1	1	1					
10a	Thumbscrew		415949G12	2	2	2	2	2	2					
11	Bulb Holder		3A3903-01	1	-									
12	Mechanical Bin Control		2A4393G01		1	1	1	1	1					
12a	Thumbscrew		415949G10		2	2	2	2	2					
13	Strap		435487-01	1	1	1	1	1	1					
13a	Thumbscrew		415949G10	1	1	1	1	1	1					
14	Capillary Ring		425307-01	1	1	1	-							
			425307-02				1	1	1					
15	Silicone Hose	L=390	773013812	1	-									
Refrigeration Circuit Order Assembly Parts Individually Assembly Number for Reference Only		KM-901MWH	1A1262A01	1	1	-								
			1A1763A02			1	1	1	1					
			4A4134-01	1	1	1	1	1	-					
			4A4134-03							1				
16a	Spacer		434921-01	4	4	4	4	4	4					
16b	Grommet		434922-01	4	4	4	4	4	4					
16c	Bolt	8x45	437889-01	4	4	4	4	4	4					
17	Water-Cooled Condenser	HS-0162	2A2359G03	1	1	1	1	1	1					
17a	Hex Head Bolt w/Washer	5x12	7B0130512	2	2	2	2	2	2					
18	Water Regulating Valve		4A0911-07	1	1	1	1	1	1					
19	Evaporator		106396G02	1	1	1	1	1	1					
20	Thermostatic Expansion Valve		4A4008-01	2	2	2	2	2	2					
21	Thermostatic Expansion Valve Cover		3A0944-01	2	2	2	2	2	2					
22	Thermostatic Expansion Valve Bulb Holder		3A0107-01	2	2	2	2	2	2					
23	Clamp		443461-02	2	2	2	2	2	2					
24	Hot Gas Valve Body		4A3978-01	1	1	1	1	1	1					
25	Valve Coil		4A3277-01	1	1	1	1	1	1					
26	Check Valve		4A1373-01	2	2	2	2	2	2					
27	High-Pressure Switch		433441-05	1	1	-								
			463180-05				1	1	1	1				

Title: A. Ice Cuber Assembly & Refrigeration Circuit Model: KM-901MWH												
Index No.	Description	Material or Model Number	Part Number	Required Number								
				T-0 U-0	U-1	U-2	U-3 to V-0 (F)	V-0 (G) to A-0	A-1 B-0			
28	Thermistor	L=1050	429006-03	1	1	1	1	1	1	1		
29	Thermistor Holder		427430-01	1	1	1	1	1	1	1		
30	Strainer		441569-02	1	1	1	1	1	1	1		
31	Drier		4A2666-01	1	1	1	1	1	1	1		

A. Ice Cuber Assembly & Refrigeration Circuit

KM-901MRH, KM-901MRH3

T-0 to B-0



For Bin Control Thermostat, see "C. Control Box Assembly"

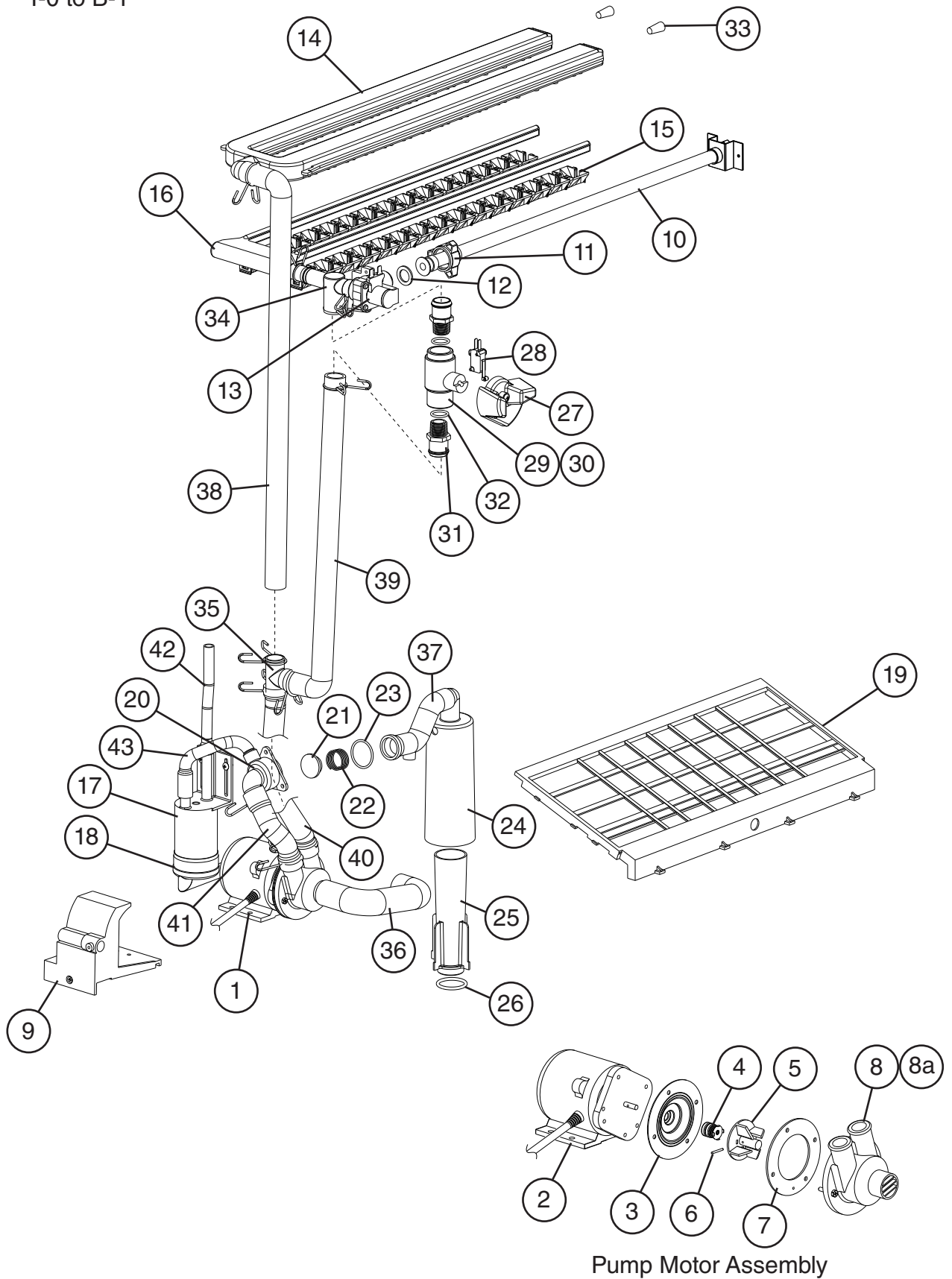
Title: A. Ice Cuber Assembly & Refrigeration Circuit Model: KM-901MRH, KM-901MRH3													
Index No.	Description	Material or Model Number	Part Number	Required Number									
				T-0 U-0	U-1	U-2	U-3 to V-0 (F)	V-0 (G) to A-0	A-1 B-0				
Ice Cuber Assembly Order Assembly Parts Individually Assembly Number for Reference Only		KM-901MRH	1A1265A01	1	-								
			1A1721A03		1	1	1	-					
			1A1721A06					1	1				
		KM-901MRH3	1A1265A02	1	-								
			1A1721A04		1	1	1	1	1	1			
1	Front Panel		2A2252G01	1	1	1	1	1	1				
2	Gasket	L=762	4A0808L02	1	1	1	1	1	1				
3	Top Panel		3A1862A01	1	1	1	1	1	1				
4	Right Side Panel		2A2117G02	1	1	1	1	1	1				
5	Front Insulation		215731G02	1	1	1	1	1	1				
6	Top Insulation		215730G01	1	1	1	1	1	1				
7	Base Cover		322618G02	1	1	1	1	1	1				
8	Control Box Cover		3A2386-01	1	1	1	1	1	1				
9	Junction Box Cover		433410-01	2	2	2	2	2	2				
10	Bulb Holder (C)		3A0218G01	1	-								
	Bin Control Switch Mount		3A5210-01		1	1	1	1	1				
10a	Thumbscrew		415949G12	2	2	2	2	2	2				
11	Bulb Holder		3A3903-01	1	-								
12	Mechanical Bin Control		2A4393G01		1	1	1	1	1				
12a	Thumbscrew		415949G10		2	2	2	2	2				
13	Strap		435487-01	1	1	1	1	1	1				
13a	Thumbscrew		415949G10	1	1	1	1	1	1				
14	Capillary Ring		425307-01	1	1	1	-						
			425307-02				1	1	1				
15	Silicone Hose	L=390	773013812	1	-								
16	Main Transformer	KM-901MRH3	4A0817-01	1	1	1	1	1	1				
17	Voltage Tap Switch	KM-901MRH3	4A1477-01	1	1	1	1	1	1				
Refrigeration Circuit Order Assembly Parts Individually Assembly Number for Reference Only		KM-901MRH	1A1264A01	1	1	-							
			1A1773A03			1	1	1	1				
		KM-901MRH3	1A1264A02	1	1	-							
			1A1773A04			1	1	1	1				
18	Compressor (A-1 and later utilize external crankcase heater - item 19)	KM-901MRH	4A4134-02	1	1	1	1	1	-				
			4A4134-03						1				
		KM-901MRH3	4A4135-02	1	1	1	1	1	-				
			4A4135-03						1				
18a	Spacer		434921-01	4	4	4	4	4	4				
18b	Grommet		434922-01	4	4	4	4	4	4				
18c	Bolt	8x45	437889-01	4	4	4	4	4	4				
19	Crankcase Heater		434186-01						1				
20	Receiver Tank		437652-01	1	1	1	1	1	1				
20a	Hex Head Bolt w/Washer (LF)	5x10	7B0130510	3	3	3	3	3	3				
21	Evaporator		106396G02	1	1	1	1	1	1				
22	Thermostatic Expansion Valve		4A1414-01	2	2	2	2	2	2				
23	Thermostatic Expansion Valve Cover		3A0944-01	2	2	2	2	2	2				

Title: A. Ice Cuber Assembly & Refrigeration Circuit Model: KM-901MRH, KM-901MRH3												
Index No.	Description	Material or Model Number	Part Number	Required Number								
				T-0 U-0	U-1	U-2	U-3 to V-0 (F)	V-0 (G) to A-0	A-1 B-0			
24	Thermostatic Expansion Valve Bulb Holder		3A0107-01	2	2	2	2	2	2			
25	Clamp		443461-02	2	2	2	2	2	2			
26	Hot Gas Valve Body		4A3978-01	1	1	1	1	1	1			
27	Liquid Line Valve Body		4A3276-01	1	1	1	1	1	1			
28	Valve Coil		4A3277-01	2	2	2	2	2	2			
29	Check Valve		4A1373-01	2	2	2	2	2	2			
30	High-Pressure Switch		433441-07	1	1	-						
			463180-04			1	1	1	1			
31	Thermistor	L=1050	429006-03	1	1	1	1	1	1			
32	Thermistor Holder		427430-01	1	1	1	1	1	1			
33	Strainer		441569-02	1	1	1	1	1	1			
34	Drier		4A2666-01	1	1	1	1	1	1			
35	Liquid Line Coupling		433751G01	1	1	1	1	1	1			
36	Discharge Line Coupling		434136G02	1	1	1	1	1	1			

B. Water Circuit

KM-901MAH, KM-901MWH, KM-901MRH, KM-901MRH3

T-0 to B-1



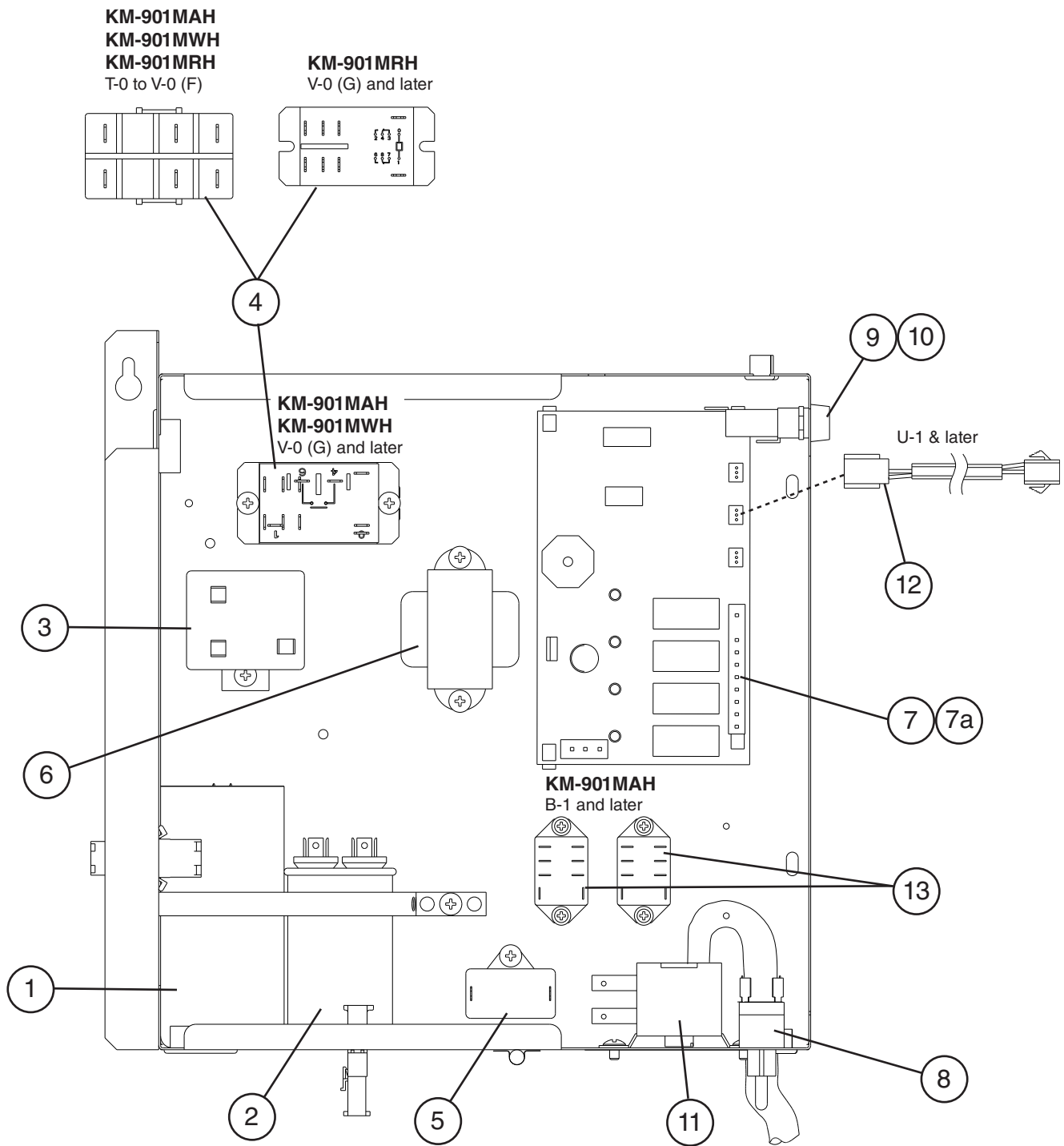
Title: B. Water Circuit Model: KM-901MAH, KM-901MWH, KM-901MRH, KM-901MRH3											
Index No.	Description	Material or Model Number	Part Number	Required Number							
				T-0 to V-0	A-0 to B-0	B-1					
Water Circuit Order Assembly Parts Individually Assembly Number for Reference Only		KM-901MAH	1A0283A09	1	1	-					
			1A2344A01			1					
		KM-901MWH KM-901MRH/3	1A0283A09	1	1	1					
1	Pump Motor Assembly (includes items 2 through 8a)	HS-0176	3A2638A03	1	1	1					
2	Pump Motor		2A2758-01	1	1	1					
3	Pump Flange		3A2988-01	1	1	1					
4	Mechanical Seal/R		465627-01	1	1	1					
5	Impeller		433522-01	1	1	1					
6	Pin		4A0648-01	1	1	1					
7	Pump Gasket		4A2974-01	1	1	1					
8	Pump Housing		211409-01	1	1	1					
8a	Screw	4x20, Geomet	4A3871-01	4	4	4					
9	Pump Motor Bracket		211408-01	1	1	1					
10	Water Supply Pipe		4A5216G04	1	1	1					
11	Water Supply Pipe Fitting Nut		468616-01	1	1	1					
12	Rubber Gasket		413854-03	1	1	1					
13	Inlet Water Valve	KM-901MAH	3U0111-04	1	1	-					
			3U0111-03			1					
		KM-901MWH KM-901MRH/3	3U0111-04	1	1	1					
14	Spray Tube		1A0260-02	1	1	1					
15	Spray Guide	KM-901MAH	208586-01	6	6	-					
			2A4282-02			2					
		KM-901MWH KM-901MRH/3	208586-01	6	6	6					
16	Water Supply Tube		2A0079-01	1	1	1					
17	Float Switch		4A3624-01	1	1	1					
18	Float Switch Connector		426799-01	1	1	1					
19	Cube Guide		212088-01	1	1	1					
20	Drain Valve Housing		321001-01	1	1	1					
21	Valve Seat		433705-01	1	1	1					
22	Spring		322110-01	1	1	1					
23	"O" Ring		7611-G035	1	1	1					
24	Overflow Cap		321002-01	1	1	1					
25	Overflow Pipe		430722-01	1	1	1					
26	"O" Ring		4A1234-01	1	1	1					
27	Handle		215383-01	1	1	1					
28	Microswitch		4A2546-01	1	1	1					
29	Ball Valve Assembly (Includes items 30, 31, and 32)	S-0761	442137A01	1	1	1					
30	Ball Valve		439293-01	1	1	1					
31	Male Adapter		325826-01	2	2	2					
32	"O" Ring		7611-P018	2	-		Replaced with thread sealant tape				
33	Plug		4A0176-01	2	2	2					
34	Tee		4A0177-01	1	1	1					
35	Distributor		432426-01	1	1	1					

Title: B. Water Circuit Model: KM-901MAH, KM-901MWH, KM-901MRH, KM-901MRH3											
Index No.	Description	Material or Model Number	Part Number	Required Number							
				T-0 to V-0	A-0 to B-0	B-1					
36	Suction Hose		433466-01	1	1	1					
37	Drain Hose		433468-01	1	1	1					
38	Rubber Hose A		4A1551-01	1	1	1					
39	Rubber Hose B		4A1551-02	1	1	1					
40	Vinyl Hose	KM-901MAH L=250	7716-2025	1	1	-					
			7762-2025			1					
		KM-901MWH KM-901MRH/3 L=250	7716-2025	1	1	1					
41	Vinyl Hose	KM-901MAH L=110	7716-2025	1	1	-					
			7762-2025			1					
		KM-901MWH KM-901MRH/3 L=110	7716-2025	1	1	1					
42	Silicone Hose	L=140	7730I3812	1	1	1					
43	Silicone Hose	L=140	7730I3896	1	1	1					
Hose Clamps											
	Hose Clamp	25 mm, SS	427443-03	9	9	9					
	Hose Clamp	18 mm, SS	427443-05	1	1	1					
	Hose Clamp	20 mm, SS	427443-06	1	1	1					

C. Control Box Assembly

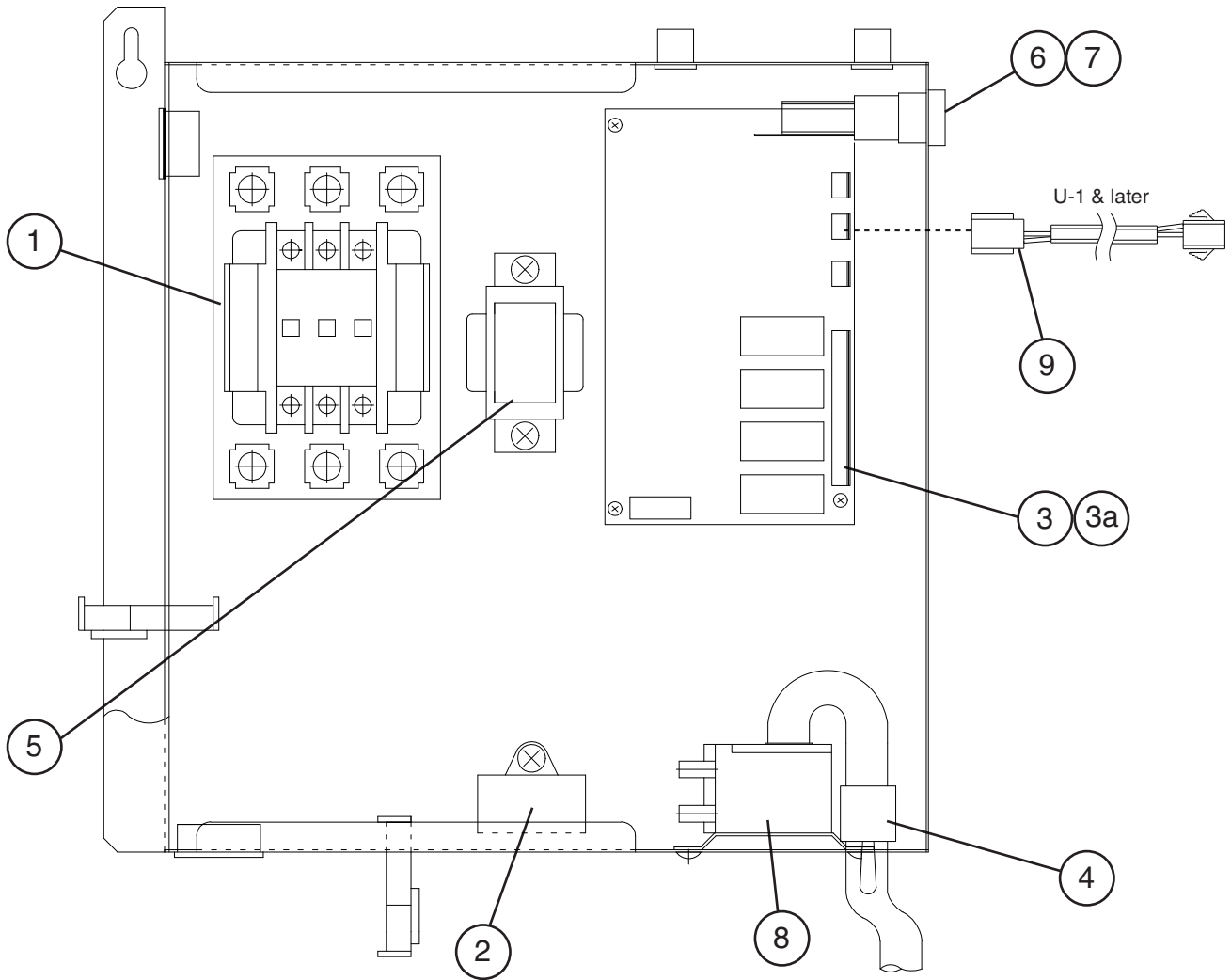
KM-901MAH, KM-901MWH, KM-901MRH

T-0 to B-1



Title: C. Control Box Assembly Model: KM-901MAH, KM-901MWH, KM-901MRH												
Index No.	Description	Material or Model Number	Part Number	Required Number								
				T-0 U-0	U-1 to V-0 (F)	V-0 (G) to B-0	B-1					
Control Box Assembly Order Assembly Parts Individually Assembly Number for Reference Only		KM-901MAH	2A4026A01	1	-							
			2A4026A03		1	-						
			2A4026A07			1	-					
			2A4026A10					1				
		KM-901MWH	2A4026A02	1	-							
			2A4026A04		1	-						
			2A4026A08			1	1					
		KM-901MRH	2A4026A02	1	-							
			2A4026A04		1	-						
			2A4026A09			1	1					
1	Start Capacitor	145-174MFD, 220V	3A0076-11	1	1	1	1					
2	Run Capacitor	30MFD, 370V	3A2005-03	1	1	1	1					
3	Start Relay (Starter)		4A1107-13	1	1	1	1					
4	Magnetic Contactor	KM-901MAH	428393-01	1	1	-						
	Compressor Relay	KM-901MWH	4A3140-01			1	1					
	Magnetic Contactor	KM-901MRH	428393-01	1	1	-						
	Compressor Relay		4A5096-01			1	1					
5	Pump Motor Capacitor	5.5MFD, 250V	443192-03	1	1	1	1					
6	Control Transformer		3A0172-01	1	1	1	1					
7	Control Board	"E" Board	2A1410-01	1	-							
		"G" Board	2A3792-01		1	1	1					
7a	Control Board Support		4A0336-03	4	4	4	4					
8	Control Switch		443119-01	1	1	1	1					
9	Fuse Holder		4A5443-01	1	1	1	1					
10	Fuse	10A, 250VAC	4A0893-07	1	1	1	1					
11	Bin Control Thermostat		4A2879-02	1	-							
12	Mechanical Bin Control Wire Harness	L=90	4A2200G04		1	1	1					
13	Harvest Pump Timer Relays	KM-901MAH	406132-07				2					

C. Control Box Assembly
KM-901MRH3
T-0 to B-0

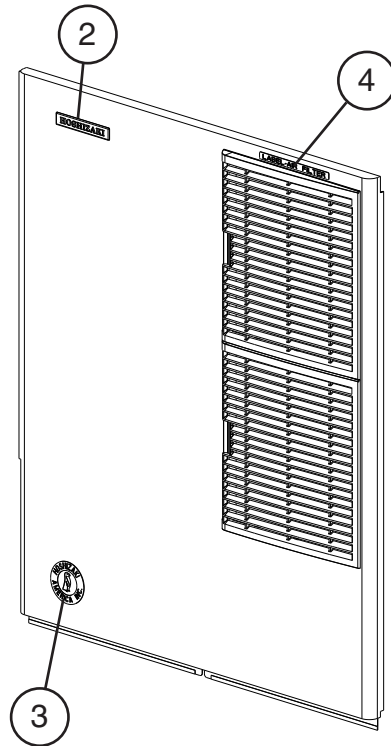


Title: C. Control Box Assembly Model: KM-901MRH3											
Index No.	Description	Material or Model Number	Part Number	Required Number							
				T-0 U-0	U-1 to B-0						
Control Box Assembly Order Assembly Parts Individually Assembly Number for Reference Only		KM-901MRH3	2A2555A01	1	-						
			2A2555A02		1						
1	Magnetic Contactor		4A0794-01	1	1						
2	Pump Motor Capacitor	5.5MFD, 250V	443192-03	1	1						
3	Control Board	"E" Board	2A1410-01	1	-						
		"G" Board	2A3792-01		1						
3a	Control Board Support		4A0336-03	4	4						
4	Control Switch		443119-01	1	1						
5	Control Transformer		3A0172-01	1	1						
6	Fuse Holder		4A5443-01	1	1						
7	Fuse	10A, 250VAC	4A0893-07	2	2						
8	Bin Control Thermostat		4A2879-02	1	-						
9	Mechanical Bin Control Wire Harness	L=300	4A2200G05		1						

D. Accessories, Labels, & Packaging

KM-901MAH, KM-901MWH, KM-901MRH, KM-901MRH3

T-0 to B-1



Title: D. Accessories, Labels, & Packaging Model: KM-901MAH, KM-901MWH, KM-901MRH, KM-901MRH3					Required Number							
Index No.	Description	Material or Model Number	Part Number	T-0 to B-1								
1	Universal Brace	GS	4A0363-01	2								
1a	Hex Head Bolt	5x12, SS	7B02-0512	4								
2	HOSHIZAKI Emblem Label		4A0560-01	1								
3	Penguin Label		4A0526-01	1								
4	Air Filter Label	KM-901MAH	426177-01	1								
	Packaging		2A3865A07									