



Founded in 1946

Project: \_\_\_\_\_

Items: \_\_\_\_\_

Quantity: \_\_\_\_\_

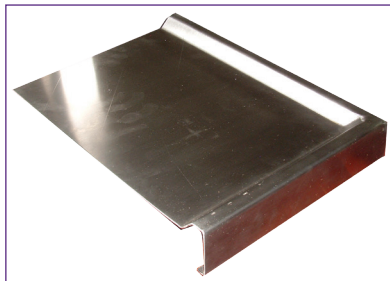
Approval: \_\_\_\_\_

Date: \_\_\_\_\_

### Enclosed Stainless Steel Sample Demo Table Model SSSC-3624MSD



- Sanitary stainless steel sample demo table, allows you to move your product tasting from department to department.
- Lifetime Warranty Against Rust
- Great for product tasting and sample promo events.
- Convenient slide out draw and storage area keeps supplies handy and out of site.
- All-welded sanitary 18 gauge stainless steel construction.
- Table top has a marine edge on three sides preventing run off.
- Maneuvers easily on 5" heavy duty polyurethane casters, two with brakes.



Marine Edge  
Table top has a marine edge on three sides preventing run off.



SSSC-3624MSD

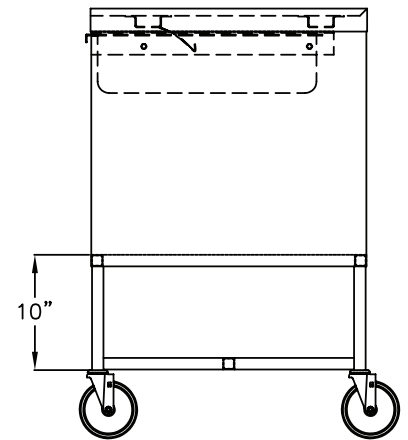
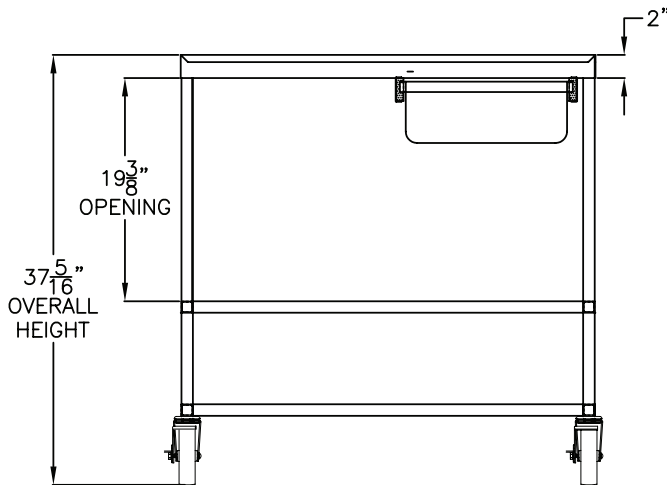
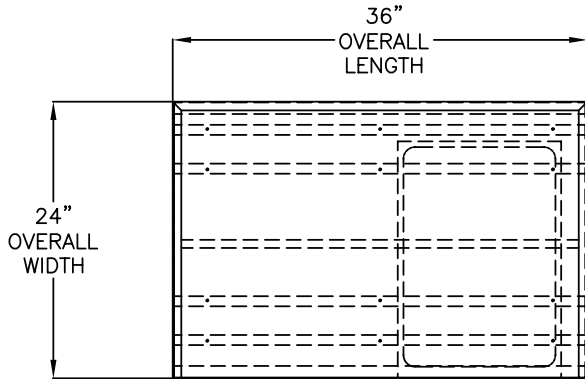
STAINLESS STEEL SAMPLE DEMO TABLE





Founded in 1946

We Care For Our:  
 Customers  
 Suppliers  
 Associates  
 Community



Model Number	Order#	Overall Dimensions						Approx. Ship Wt	
		Width		Length		Height		(lb)	(kg)
		(in)	(mm)	(in)	(mm)	(in)	(mm)		
SSSC-3624MSD	210121	24	610	36	914	37	940	94	43

Caster information:  
 Swivel Plate Caster with 5" Polyurethane Wheel 738A (128784)  
 Swivel Plate Caster with 5" Polyurethane Wheel & Brake 738ABK (204185)  
 5" Polyurethane Wheel 7112 (122180)  
**Freight Class: 150**

In line with our poicy to continually improve our products, Winholt reserves the right to change materials and specifications without notice. 6.2014