



Founded in 1946

Project: _____

Items: _____

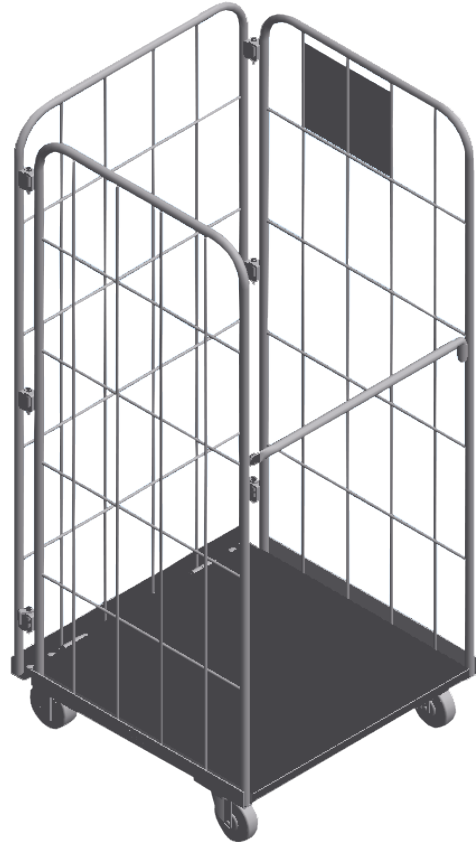
Quantity: _____

Approval: _____

Date: _____

Folding Roll Cages
3 Sided Roll Cages
Model ST-3-SRC-1110-IW
ST-3-SRC-8080-IW

- Constructed of steel with a gray powder coated finish standard. We can customize the color to match any decor.
- Efficiently move product from distribution centers to stores to the selling floor.
- 3 & 4 sided roll cages are available, folds for storage conserving valuable floor space.
- "Z" nesting base and folding sides design.
- Maneuvers easily on two 8" stationary center load wheels and four 6"x 2" phenolic swivel plate casters.
- Custom designs and additional sizes available upon request.



ST-3-SRC-8080-IW



STRC-4-7684-UKTC-B
Shown with blue cage base and shelf,
standard color is gray.

Custom designs and
additional sizes available
upon request.

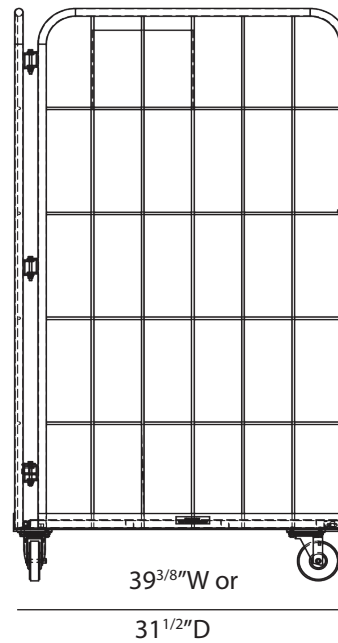
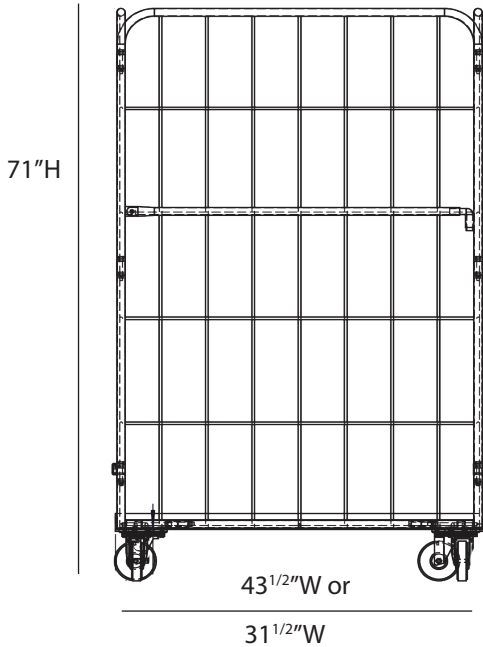
Heavy Duty
Phenolic
Wheels



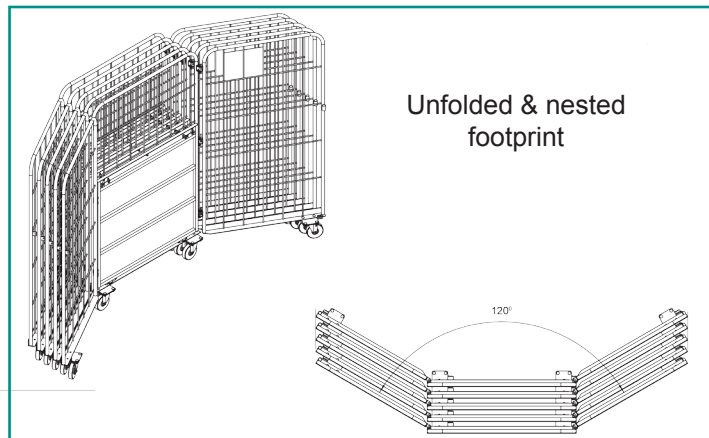
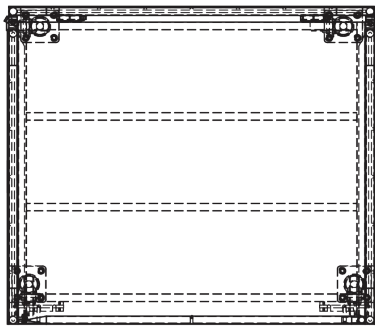


Founded in 1946

We Care For Our:
Customers
Suppliers
Associates
Community



Bottom folds up and sides open to maximize nesting



Model Number	Order#	Overall Dimensions						Capacity		Approx. Ship Wt	
		Width		Length		Height		(lb)	(kg)	(lb)	(kg)
		(in)	(mm)	(in)	(mm)	(in)	(mm)				
3 Sided Roll Cages											
ST-3-SRC-1110-IW	996881	43 1/2	1100	39 3/8	1000	71	1800	660	300	143	65
ST-3-SRC-8080-IW	996899	31 1/2	800	31 1/2	800	71	1800	660	300	110	50

Caster Information
Swivel Plate Caster with 5" Phenolic Wheel 73117 (591277)
Swivel Plate Caster with 5" Phenolic Wheel & Brake 73117BK
Freight Class: 150

In line with our poicy to continually improve our products, Winholt reserves the right to change materials and specifications without notice. 6.2014